

**Steam
Fast**

by **Top Innovations, Inc.**

SF-255

SUPERMOUSE™

Never Scrub Again



- Thumb Control Switch Extends Operating Time
- Steam Ready Light
- 10 Convenient Accessories
- Removes Pet and Smoke Odors
- Storage Compartment for Utility Brushes



- Floor Brush with Cover
Cleans and Sanitizes Floors
- Jet Nozzle Blasts Away Most
Unwanted Particles
- 1350 Watts of Steaming
Power
- Cleans with REALSTEAM™
- Lighted On/Off Switch



400 NW Platte Valley Drive, Riverside, MO 64150

Tel: 816-584-9700, 800-711-6617 Fax: 816-584-9066

www.topinnovations.com, sales@topinnovations.com

**Steam
Fast**

SUPERMOUSE™
SF-255

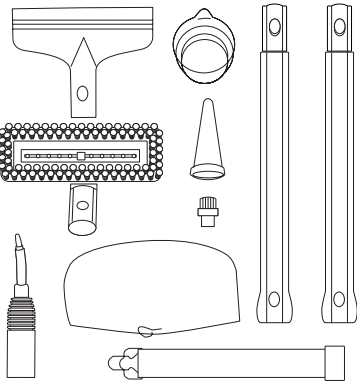
Never Scrub Again

Features:

- Thumb Control Switch Extends Operating Time
- Steam Ready Light
- 10 Convenient Accessories
- Removes Pet and Smoke Odors
- Melts Away Grease and Grime
- Storage Compartment for Utility Brushes
- Floor Brush With Cover Cleans and Sanitizes Floors
- Jet Nozzle Blasts Away Most Unwanted Particles
- 1350 Watts of Steaming Power
- Cleans With REALSTEAM™
- On/Off Switch Light Indicator

NEW!

New Steam Control Switch with Lock



Accessories:

- 2 Extension Wands
- Measuring Cup and Funnel
- Squeegee
- Steam Jet Nozzle
- Upholstery/Floor Brush
- Terry Cover for Floor Brush
- Carrying Strap
- Utility Brush-Long



MASTER CARTON	QUANTITY	UNIT INFO	MISCELLANEOUS
Units Per MC 2	20' Container 600	Unit Box Dim. (LxWxH) 19.49" x 10.94" x 13.31"	UPC# 0-47171-25500-6
Dimension (LxWxH) 19.88" x 11.50" x 27.36"	40' Container 1,200	Unit Box Weight 13.2 lbs	ITF# 100-47171-25500-3
Gross Weight 28.6 lbs	40' HC Container 1,300	Unit Dim. (LxWxH) 12.99" x 9.84" x 9.09"	Drop Test Approved
Cube 3.62 cu. ft.	Pallet 48	Weight 9.13 lbs	