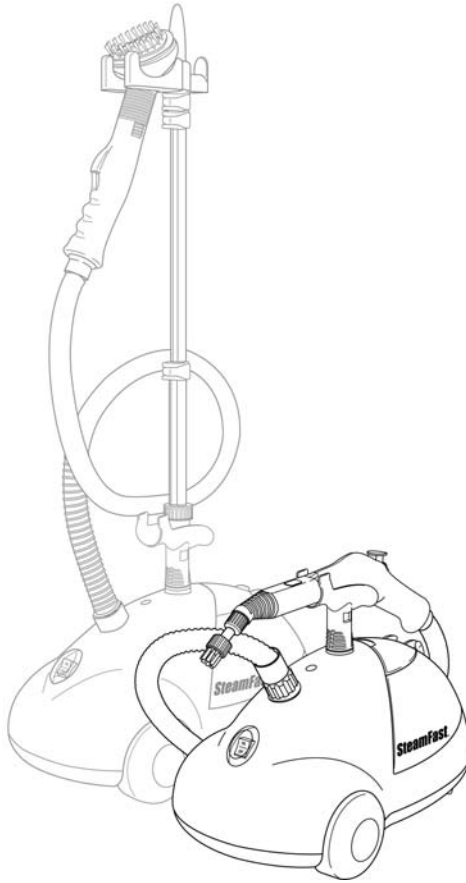


SteamFast.

MODEL SF-276

2-in-1 Steamer



by Top Innovations, Inc.

**Please read all instructions before use.
Mail in your warranty registration card.**

Dear Valued Customer,

Congratulations on purchasing your new **SF-276 2-in-1 Steamer**. This powerful product places the natural power of steam in a single convenient product that functions as both a steam cleaner and a fabric steamer.

Steam Cleaning . . .

Plug your **2-in-1 Steamer** in, and in minutes you are ready to eliminate dirt, grease, grime, stains and more from most anywhere in or around your home. Use it in your living room, kitchen, bedrooms, bathrooms, and anywhere else that you need to clean. Windows, vents, countertops, floors, appliances, automobiles, barbecue grills, patio furniture and much more will benefit from the natural cleaning power of steam.

Fabric Steaming . . .

Change out the Steam Cleaning Hose & Nozzle for the Fabric Steaming Hose & Nozzle, connect the Telescopic Pole and your **2-in-1 Steamer** switches from steam cleaner to fabric steamer, ready to gently remove wrinkles and odors from fabrics. Everything from your favorite shirt to the living room drapes will benefit from the fresh, chemical-free power of steam.

In addition to removing dirt and smoothing wrinkles, you will receive the many other benefits that steam provides. Hot steam kills germs, bacteria, mold and mildew. It also refreshes upholstery and reduces smoke and other unpleasant odors, making fabrics and surfaces like new again. And when you're finished steaming, the **2-in-1 Steamer** is quick and convenient to clean and store.

Top Innovations, Inc. would like to invite you to visit our Customer Support Web site at:

www.steamfast.com

On this website you will find additional information about many other exciting products that are available, helpful tips on ways in which you can utilize your **2-in-1 Steamer**, and other useful information to assist you in maximizing the power of steam!

Enjoy your new **SF-276 2-in-1 Steamer**!



Benny Lee
Chairman and CEO
Top Innovations, Inc.

GENERAL INSTRUCTIONS

Important Safeguards	4
Important Safeguards (continued)	5
Using the 2-in-1 Steamer	
Filling Water Reservoir with Water	14
Cleaning & Proper Storage	18
Troubleshooting	
Troubleshooting Guide	19
Troubleshooting (continued) & Customer Support	20
Accessory Listing & Ordering Info	21
Notes	22
Warranty Information	23

STEAM CLEANING

2-in-1 Steamer Product Information	
Steam Cleaning Diagram	6
Steam Cleaning Diagram Descriptions	7
Assembling the 2-in-1 Steamer (Steam Cleaning)	
Attaching Steam Cleaning Hose	8
Attaching Carry Handle	8
Attaching Main Accessories	8
Attaching Utility Brushes	9
Attaching Scrub Pad	9
Using the 2-in-1 Steamer	
Operating 2-in-1 Steamer (Steam Cleaning)	15


FABRIC STEAMING

2-in-1 Steamer Product Information	
Fabric Steaming Diagram	10
Fabric Steaming Diagram Descriptions	11
Assembling the 2-in-1 Steamer (Fabric Steaming)	
Attaching Telescopic Pole	12
Extending Telescopic Pole	12
Attaching Fabric Steaming Hose	13
Attaching Lint Remover / Fabric Brush / Cloth Cover	13
Using the 2-in-1 Steamer	
Operating 2-in-1 Steamer (Fabric Steaming)	16
Additional Fabric Steaming Tips	17



WARNING: To reduce the risk of fire, electrical shock, or injury, the following basic safety precautions should always be followed when using an electrical appliance.

READ ALL INSTRUCTIONS BEFORE USING YOUR 2-IN-1 STEAMER

1. Unit Water Reservoir is designed to hold a maximum of 48 oz. (1,420 ml.) of water. Use caution when filling, to avoid burns from spilling water, or possible electrical shock.
2. DO NOT leave your SF-276 2-in-1 Steamer unattended when plugged in or not in use. Use only for its intended purpose as indicated in this manual.
3.  **This unit is not a toy. Close supervision is required when using unit near children, pets, and plants. Steam produced by unit is hot and pressurized. Care must be taken to avoid burns or other injuries. Never point nozzle at people or pets.**
4. To reduce the risk of contact with hot water emitting from steam vents, hold appliance away from body and check for signs of condensation or leakage.
5. DO NOT use this unit if electrical cord or outlet is damaged. DO NOT use unit if it is not working properly or has been dropped, damaged or left outdoors. If such damage occurs, DO NOT disassemble or attempt repairs. Incorrect reassembly or repair could cause a risk of fire, electrical shock, or injury to persons when steamer is used. Contact the Top Innovations Customer Service department (see page 20 for details) for qualified service examination and repair. Disassembling unit and attempting repairs yourself will void the included 1 year warranty (see page 23 for details).
6. To reduce risk of electrical shock, DO NOT immerse in water or other liquids. DO NOT use electrical cord or Hose as a handle. DO NOT allow cord or Hose to be crimped by closing it in doors. DO NOT pull or stretch cord or Hose around sharp corners or edges.
7. Before filling unit with water, always unplug power cord from electrical outlet. Failure to do so may result in electrical shock and injury.
8. Do not allow electrical cord to touch hot surfaces. Let appliance cool completely before putting away. Loop cord loosely around appliance when storing.

SAVE THESE INSTRUCTIONS!
FOR HOUSEHOLD USE ONLY



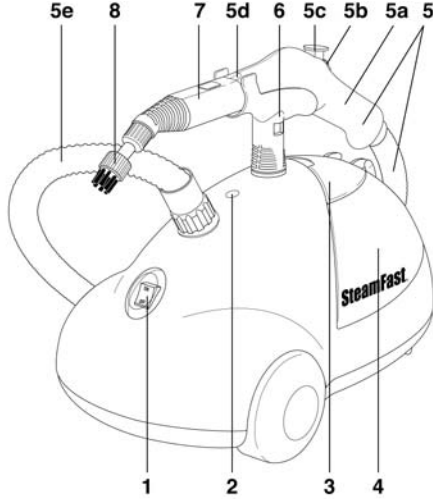
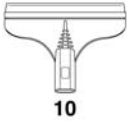
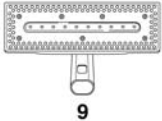
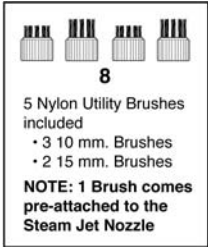
WARNING: To reduce the risk of electrical shock, this appliance has a three-pronged plug. This plug will fit in a polarized wall outlet only one way. If the plug does not fit fully in the outlet, contact a licensed electrician to install a proper outlet. **DO NOT** attempt to modify the plug or defeat this safety feature.

9. **DO NOT** use this unit with extension cords or electrical outlets that have inadequate current capacity. A three-prong outlet or a properly grounded adapter is necessary when using SF-276 2-in-1 Steamer.
10. In order to unplug SF-276 2-in-1 Steamer, grasp plug and pull smoothly and firmly from outlet. **DO NOT** attempt to unplug unit by pulling or tugging on cord.
11. Always keep Steam Nozzle elevated above Water Reservoir. **DO NOT** lay Hose on floor.
12. Use caution, as burns could occur from touching hot metal parts, hot water or steam.
13. SF-276 2-in-1 Steamer is only meant to be used with recommended SF-276 accessories. Other types of attachments are not to be used with 2-in-1 Steamer. Doing so may cause injuries or damage to unit.
14. Nozzle and attachments become hot during use. To avoid injuries, **DO NOT** touch nozzle while using this appliance. **DO NOT** attempt to change attachments while unit is emitting steam.
15. When filling your 2-in-1 Steamer, only water should be used in unit. Other cleaning agents will damage unit and can cause injuries.
16. **DO NOT** operate unit if steam opening is blocked. Should this occur, immediately cease usage and unplug from electrical outlet.
17. Store your SF-276 2-in-1 Steamer in a cool, dry place. Leave Water Reservoir cap loose when storing, as tightening it may make it difficult to remove later.

SAVE THESE INSTRUCTIONS!
FOR HOUSEHOLD USE ONLY

2-IN-1 STEAMER PRODUCT INFORMATION
STEAM CLEANING

The following steam cleaning features and accessories are included with your 2-in-1 Steamer. Carefully inspect packaging material as some parts are shipped inside Styrofoam packaging. To obtain missing parts, refer to the **Customer Support** section on page 20 of this manual.



- UNIT FEATURES & ACCESSORIES**
1. Lighted On/Off Switch
 2. Heating Indicator Light
 3. Storage Compartment
 4. Water Reservoir
 5. Steam Cleaning Hose/Nozzle Assembly
 - 5a. Handle
 - 5b. Steam Lock Switch
 - 5c. Steam Button
 - 5d. Steam Cleaning Nozzle
 - 5e. Steam Cleaning Hose
 6. Carry Handle
 7. Steam Jet Nozzle
 8. 5 Assorted Nylon Utility Brushes
 9. Floor Brush
 10. Squeegee
 11. 2 Extension Wands
 12. Measuring Cup
 13. Water Funnel
 14. Cloth Towel
 15. Triangle Brush
 16. Brass Utility Brush
 17. Scrub Pad

- The *Lighted On/Off Switch* (1) turns the unit on and off, and provides a clear visual indication when the steamer is turned on.
- The *Heating Indicator Light* (2) indicates when the unit is ready to steam by lighting up during heating and turning off when the steam is ready. Note that *Heating Indicator Light* may cycle on and off during steaming.
- The *Storage Compartment* (3) is used for storing small accessories and houses the *Water Reservoir* cap.
- The *Water Reservoir* (4) is the tank in which water is stored for use by the unit. It is accessed by removing the *Water Reservoir* cap found inside the *Storage Compartment*. There must be a sufficient amount of water (16-48 oz., 473-1,420 ml.) in the *Water Reservoir* in order for the unit to properly function.
- The *Steam Cleaning Hose/Nozzle Assembly* (5) connects to the main unit and is made up of the *Steam Cleaning Nozzle* and *Steam Cleaning Hose*, along with all of their respective parts. The *Handle* (5a) is designed to stay relatively cool while providing the optimum amount of safety and user comfort. The *Steam Lock Switch* (5b) is pushed forward to lock the *Steam Button* down and provide continuous steam without the need of holding the *Steam Button*. The *Steam Button* (5c) is depressed in order to release a spray of hot, penetrating steam from the unit. This allows control over the flow of steam. The *Steam Cleaning Nozzle* (5d) is designed to spray a powerful flow of hot, penetrating steam. The *Steam Cleaning Hose* (5e) safely channels the flow of steam from the boiler to the *Steam Cleaning Nozzle*.
- The *Carry Handle* (6) provides a convenient place to set the *Steam Cleaning Nozzle* and is useful for carrying the unit up stairs and over obstacles.
- The *Steam Jet Nozzle* (7) focuses the spray of steam from the unit and serves as the base to which most other accessories connect.
- The *5 Assorted Nylon Utility Brushes* (8) attach to the *Steam Jet Nozzle*, providing extra power for removing exceptionally tough dirt and stains. 3 10 mm. and 2 15 mm. brushes are included. Note that one brush comes pre-attached to the *Steam Jet Nozzle*.
- The *Floor Brush* (9) attaches to the *Steam Cleaning Nozzle* and is useful for cleaning floors and upholstery. The *Cloth Towel* (14) attaches to the *Floor Brush* for cleaning tile and other hard surface floors (it is not recommended to use this unit on unsealed hardwood floors, as wet steam may warp the floor). When steaming upholstery, it is recommended to test on an inconspicuous spot first.
- The *Squeegee* (10) can be used to clean mirrors, windows and other glass or smooth surfaces.
- The *2 Extension Wands* (11) connect to the *Steam Cleaning Nozzle*, allowing easy cleaning of floors, high spots or otherwise hard-to-reach places.
- The *Measuring Cup* (12) and the *Water Funnel* (13) are provided to assist you in easily and consistently filling the *Water Reservoir* with the optimum amount of water (16-48 oz., 473-1,420 ml.).
- The *Triangle Brush* (15) is designed for cleaning corners and other difficult angles.
- The *Brass Utility Brush* (16) attaches to the *Steam Jet Nozzle* and is designed for removing tough stuck-on grease and grime from ovens and grills.
- The *Scrub Pad* (17) attaches to the *Steam Jet Nozzle* and is used to clean porcelain (sinks, bathtubs, toilets) and countertops.

ATTACHING STEAM CLEANING HOSE

1. Place end of Steam Cleaning Hose onto threaded hose base on main unit. Screw onto base by turning it in a clockwise direction until it is firmly tightened (FIGURE 1).
2. To avoid injury when removing Hose, always allow unit time to completely cool (at least 30 minutes), and make sure steam pressure has been released.

WARNING: Failure to securely tighten Steam Cleaning Hose connection may result in a steam leak and injury.

**FIGURE 1****ATTACHING CARRY HANDLE**

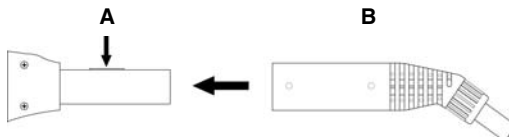
1. Insert Carry Handle into Handle hole on top of unit. Please refer to illustration for assistance with proper alignment (FIGURE 2).
2. Use enclosed magnetic screw driver and screw to securely fasten Handle to unit.

**FIGURE 2****ATTACHING MAIN ACCESSORIES**

WARNING: Do not try to connect accessories while unit is emitting steam.

This section applies to the Steam Jet Nozzle, Squeegee, Floor Brush, Extension Wands and Triangle Brush.

1. Depress red lock/release button on Steam Cleaning Nozzle (FIGURE 3-A).
2. While still depressing lock/release button, slide Steam Jet Nozzle or other accessory over this button, so that rectangular hole in attachment aligns with lock/release button (FIGURE 3-B).
3. Once lock/release button and rectangular hole are properly aligned, button should *click* through hole and into place.
4. To remove Steam Jet Nozzle or other accessory, press in red lock/release button and pull attachment off of steam cleaning nozzle.

**FIGURE 3**

ATTACHING UTILITY BRUSHES

WARNING: Do not try to connect accessories while unit is emitting steam.

NOTE: This section applies to all Utility Brushes. Brushes attach to Steam Jet Nozzle, not to Steam Cleaning Nozzle.

NOTE: A Utility Brush (one of the five included) comes pre-installed on the Steam Jet Nozzle, and must be removed in order to connect a different Utility Brush one of the other accessories.

1. Align guide tab on inside of Utility Brush (FIGURE 4-A) with groove on bottom of Steam Jet Nozzle tip (FIGURE 4-B), and firmly press Brush onto Steam Jet Nozzle.
2. Press Brush as far as possible on to Steam Jet Nozzle to ensure that it is properly sealed, to help prevent any steam leakage (FIGURE 5).
3. To remove Brush, simply grip it firmly and pull it off of Steam Jet Nozzle.

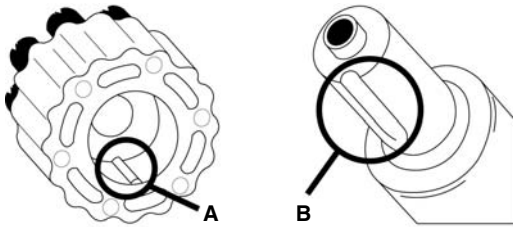


FIGURE 4

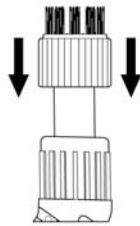


FIGURE 5

ATTACHING SCRUB PAD

NOTE: Scrub Pad attaches to Steam Jet Nozzle, not to Steam Cleaning Nozzle.

1. Place Scrub Pad over tip of Steam Jet Nozzle and firmly press it as far as possible on to Steam Jet Nozzle to ensure that it is properly sealed (FIGURE 6). This will help prevent any steam leakage.
2. To remove Pad, simply grip it firmly and pull it off of Steam Jet Nozzle.

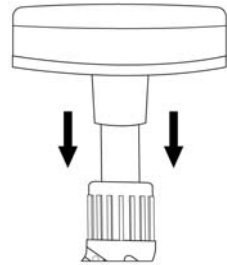
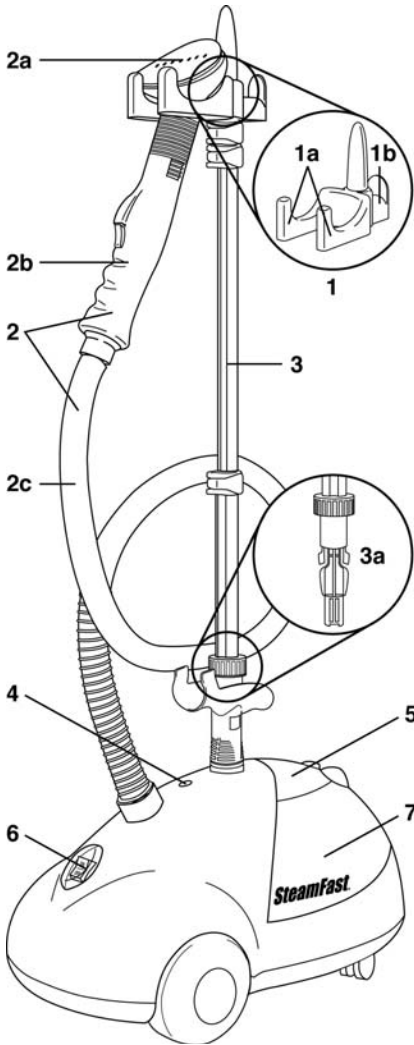


FIGURE 6

**2-IN-1 STEAMER PRODUCT INFORMATION
FABRIC STEAMING**

The following fabric steaming features and accessories are included with your 2-in-1 Steamer. Carefully inspect packaging material as some parts are shipped inside Styrofoam packaging. To obtain missing parts, refer to the **Customer Support** section on page 20 of this manual.

**UNIT FEATURES & ACCESSORIES**

1. Pole Top
- 1a. Nozzle Holder
- 1b. Clothes Hanger Hook
2. Fabric Steaming Hose/Nozzle Assembly
- 2a. Fabric Steaming Nozzle
- 2b. Handle
- 2c. Fabric Steaming Hose
3. Telescopic Pole
- 3a. Pole Adapter
4. Heating Indicator Light
5. Storage Compartment
6. Lighted On/Off Switch
7. Water Reservoir
8. Fabric Brush
9. Lint Remover
10. Cloth Cover
11. Press Pad



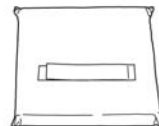
8



9



10

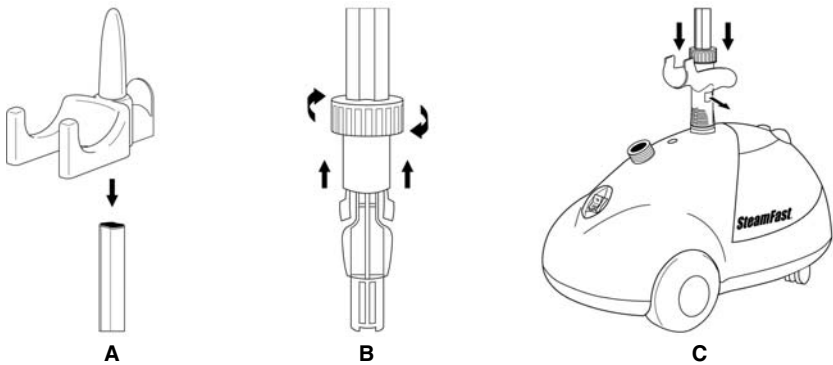


11

- The *Pole Top* (1) is comprised of the *Nozzle Holder* and the *Clothes Hanger Hook*. The *Nozzle Holder* (1a) provides a safe and convenient place to hang the *Fabric Steaming Nozzle*. The *Clothes Hanger Hook* (1b) allows you to steam garments that are hanging from a clean, rust-free hanger.
- The *Fabric Steaming Hose/Nozzle Assembly* (2) connects to the main unit and is made up of the *Fabric Steaming Nozzle* and *Fabric Steaming Hose*, along with all of their respective parts. The *Fabric Steaming Nozzle* (2a) is designed to gently spread hot, penetrating steam over a wide area. The *Handle* (2b) is designed to stay relatively cool while providing the optimum amount of safety and user comfort. The *Fabric Steaming Hose* (2c) safely channels steam from the boiler to the *Fabric Steaming Nozzle*.
- The *Telescopic Pole* (3) connects the *Pole Top* to the steamer and collapses to allow quick, compact storage of the unit. The *Pole Adapter* (3a) is used to mount the *Telescopic Pole* inside of the *Carry Handle*.
- The *Heating Indicator Light* (4) indicates when the unit is ready to steam by lighting up during heating and turning off when the steam is ready. Note that *Heating Indicator Light* may cycle on and off during steaming.
- The *Storage Compartment* (5) is used for storing small accessories and houses the *Water Reservoir* cap.
- The *Lighted On/Off Switch* (6) turns the unit on and off, and provides a clear visual indication when the steamer is turned on.
- The *Water Reservoir* (7) is the tank in which water is stored for use by the unit. It is accessed by removing the *Water Reservoir* cap found inside the *Storage Compartment*. There must be a sufficient amount of water (16-48 oz., 473-1,420 ml.) in the *Water Reservoir* in order for the unit to properly function.
- The *Fabric Brush* (8) connects to the *Fabric Steaming Nozzle* and is designed to assist in smoothing out exceptionally stubborn wrinkles.
- The *Lint Remover* (9) connects to the *Fabric Steaming Nozzle* and is designed to assist in removing lint, loose threads and other small particles from fabric.
- The *Cloth Cover* (10) connects to the *Fabric Steaming Nozzle* and is useful for preventing large water droplets from dripping on delicate materials.
- The *Press Pad* (11) fits on your hand, allowing you to support the fabric for a more thorough steaming. The *Press Pad* also protects your hand from being burned by hot steam.

ATTACHING TELESCOPIC POLE

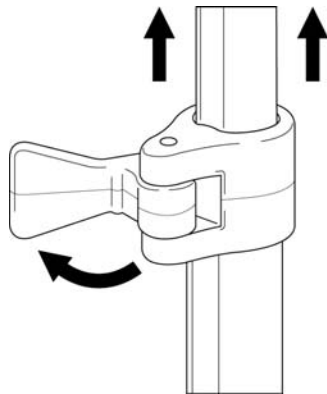
1. Attach Pole Top by sliding it onto top of Telescopic Pole as shown (FIGURE 6-A). Note that Top must align correctly in two grooves that run the length of Pole.
2. Connect Pole Adapter to Telescopic Pole by lining up grooves on Pole with two tabs inside Adapter and sliding Adapter onto bottom of Pole. Tighten Pole knob by turning it in a clockwise direction until Pole and Adapter are locked together (FIGURE 6-B).
3. Slide Pole and Adapter into Carry Handle until two tabs on sides of Adapter snap through holes on sides of Handle (FIGURE 6-C).

**FIGURE 6****EXTENDING TELESCOPIC POLE**

1. Locate bottom extension lock, and swing hinge outward as shown (FIGURE 7). Extend middle section of Telescopic Pole as far upward as it will go, then close hinge to relock bottom extension lock.
2. Repeat Step 1 for remaining two extension locks, until Pole is extended to its full height.

NOTE: It is recommended to extend Telescopic Pole to its full height during steamer operation. This ensures full extension of Fabric Steaming Hose for maximum flow of steam.

WARNING: Do not try to carry unit by Telescopic Pole, as it may slip out of the Carry Handle and could damage unit or cause injury.

**FIGURE 7**

ATTACHING FABRIC STEAMING HOSE

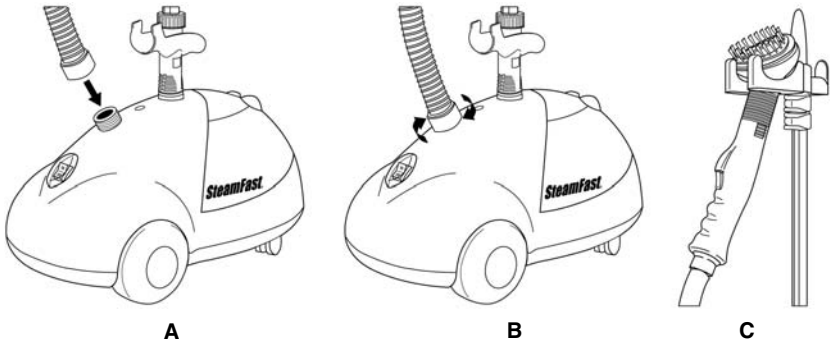
1. Slide Fabric Steaming Hose fitting onto threaded hose base (FIGURE 8-A)
2. Turn Hose fitting clockwise to secure it to base (FIGURE 8-B).

NOTE: Hand-tighten Hose fitting only. Do not over-tighten.

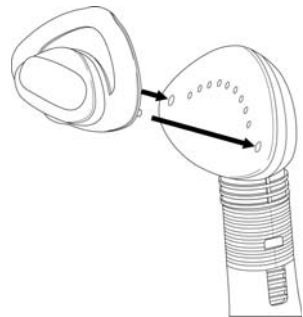
3. Hang Fabric Steaming Nozzle on specially designed Nozzle Holder as shown (FIGURE 8-C).

CAUTION: To prevent steam from causing bodily injury or damage to surfaces, always hang Fabric Steaming Nozzle on Nozzle Holder when not in use. Do not lay Fabric Steaming Hose on floor as condensation may build up inside, causing unwanted water droplets in steam.

CAUTION: Pulling on Fabric Steaming Hose with excessive force may damage it, resulting in a steam leak.

**FIGURE 8****ATTACHING LINT REMOVER /
FABRIC BRUSH / CLOTH COVER**

1. Make sure Lighted On/Off Switch is set to “Off” position and that unit is not emitting any steam. Do not try to connect Lint Remover, Fabric Brush or Cloth Cover while unit is emitting steam, as this could result in burns and injury.
2. Align two pegs on back of accessory with corresponding holes on face of Fabric Steaming Nozzle. Use care to properly align attachment as shown (FIGURE 9), so as not to cover up steam holes on Nozzle face.
3. Press accessory firmly onto Nozzle, until it fits securely in place.

**FIGURE 9**

**USING THE 2-IN-1 STEAMER
GENERAL****FILLING WATER RESERVOIR WITH WATER**

1. Place 2-in-1 Steamer on a flat, level surface.
2. Make sure Lighted On/Off Switch is set to “Off” position and grounded power cord is unplugged from electrical outlet.
3. Flip up Storage Compartment lid. Cautiously unscrew and remove Water Reservoir cap.
4. Water Reservoir should always be emptied after each use. If it was not emptied after the last use, empty it now. This will prevent over-filling.
5. Fill Measuring Cup to maximum fill line (16 oz. / 473 ml.) with water.

NOTE: To prolong the life of your 2-in-1 Steamer, we recommend using distilled or de-mineralized water.

6. Using Water Funnel to minimize water spill, carefully pour water from Measuring Cup into Water Reservoir through fill hole.
WARNING: Extreme caution should be used when pouring water into the Water Reservoir. Do not look directly down into fill hole when filling. Keep your free hand and any children or pets at a safe distance.
7. Depending on how long you intend to steam, you may repeat steps 5 & 6 up to two more times, for a maximum of 48 oz. (1,420 ml.) of water. See chart below for a comparison of the amount of water vs. approximate steam time.

Amount of Water	Duration of Steam
16 oz. (473 ml.)	Approximately 15 min.
32 oz. (946 ml.)	Approximately 30 min.
48 oz. (1420 ml.)	Approximately 45 min.

8. Replace Water Reservoir cap, ensuring that it is screwed on tightly to prevent hot steam from escaping and causing injury.
9. Close Compartment lid.

IMPORTANT: When steamer is first activated, it is natural for it to spray small amounts of water. This is due to condensation forming in the Hose, and will dissipate within 30 seconds of use. To help clear condensation out of Hose more quickly, try the following:

- **Point Nozzle towards ground, sink or tub and shake it to force water out of Hose.**
- **Extend Hose vertically as far as possible to allow water to drain back into Water Reservoir.**

OPERATING 2-IN-1 STEAMER (STEAM CLEANING)

NOTE: Be sure that Water Reservoir has already been filled and that all desired steam cleaning accessories are connected before following these steps.

1. Plug power cord into a convenient electrical outlet (make sure to first remove plastic cover that protects plugs during shipping).

CAUTION: This unit uses a grounded (3-prong) electrical plug. Use only in properly installed 3-prong electrical outlets. Do not attempt to alter plug or circumvent this safety feature in any way.

2. Switch Lighted On/Off Switch to “On” position. Heating Indicator Light will immediately illuminate. (Note: Heating Indicator Light is illuminated while boiler is heating)

3. Heating Indicator Light will deactivate in 2-8 minutes (depending on how much water is in Water Reservoir), indicating that boiler is heated and unit is ready to begin steaming.

4. Direct Steam Cleaning Nozzle (and any attached accessories) towards surface you desire to steam, and press Steam Button.

CAUTION: Always be sure that Steam Cleaning Nozzle and accessories are pointed in a safe direction (away from yourself, other people, pets and plants) before pressing Steam Button.

5. Keep Steam Button depressed for a continuous flow of steam. You may also slide the Steam Lock Switch forward while depressing Button to lock the Button down. This will let you have a continuous flow of steam without the need of holding down the Button.

6. Using a slight back-and-forth motion over the area you are steaming will further enhance the cleaning process. To sanitize surfaces, point Steam Cleaning Nozzle, press Steam Button, and hold approximately 1/2 inch from surface for at least 5 seconds. This will insure that you have killed germs and bacteria. Wipe steamed areas with a clean cloth to remove loosened dirt and grime.

CAUTION: Wiping the area while it is still wet is recommended, but use caution when wiping surfaces, such as metal, that may still be hot.

NOTE: During use, the Heating Indicator Light may illuminate. This is normal. If you notice a drop in steam pressure, release Steam Button until Light deactivates once again.

7. Once steam cleaning tasks are complete, immediately set Lighted On/Off Switch to “Off” position and unplug grounded power cord from electrical outlet. Follow steps under **Proper Storage** procedure on page 18 of this manual.

**OPERATING 2-IN-1 STEAMER
(FABRIC STEAMING)**

NOTE: Be sure that Water Reservoir has already been filled and that all desired fabric steaming accessories are connected before following these steps.

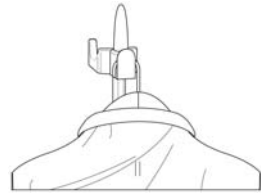
1. Plug power cord into a convenient electrical outlet (make sure to first remove plastic cover that protects plugs during shipping).
2. Switch Lighted On/Off Switch to “On” position.
3. Heating Indicator Light will illuminate while boiler is heating. When Light deactivates (2-8 minutes, depending on amount of water in Water Reservoir), unit will automatically begin emitting steam.
4. Place garment on a clean, rust-free clothes hanger.
5. Place hanger (with garment) on Clothes Hanger Hook (FIGURE 10).

CAUTION: Use care when handling garments on the Clothes Hanger Hook. Pulling on the garment with too much force may cause the unit to tip over.

6. Direct Fabric Steaming Nozzle towards bottom of garment. Steam will rise along inside and outside of fabric, removing wrinkles. Slowly slide Nozzle vertically, from bottom to top of garment (FIGURE 11).

NOTE: Do not allow kinks to form in hose at any time during use.

7. Direct Nozzle away from garment and smooth fabric with your free hand.
8. Repeat steps 6 & 7 as necessary until fabric is smooth and wrinkle free. For additional tips and ideas for fabric steaming, refer to page 17 of this manual.
9. When you have completed your steaming tasks, immediately switch Lighted On/Off Switch to “Off” position and unplug power cord from electrical outlet. Refer to **Proper Storage** section on page 18 of this manual for information on proper cleaning and storage of 2-in-1 Steamer.

**FIGURE 10****FIGURE 11**

ADDITIONAL FABRIC STEAMING TIPS

- Curtains and draperies may be steamed while still hanging.
- To remove wrinkles from towels, handkerchiefs and napkins, drape them over a rod or towel rack and gently steam them.
- Heavier fabrics may require repeated steaming to effectively remove wrinkles.
- To remove exceptionally stubborn wrinkles, steam both sides of fabric.
- For additional assistance in removing tough wrinkles or to remove lint and other particles, attach Fabric Brush or Lint Remover to Fabric Steaming Nozzle (see **Attaching Lint Remover / Fabric Brush / Cloth Cover** section on page 13 of this manual).
- Use Press Pad in order to steam difficult spots and edges and to create creases in fabric. Slide your hand through the velcro strap on back of Pad to secure it to your hand. This will protect your hand from the flow of hot steam. Steam fabric while pressing it firmly but gently against the Pad.

Be sure to visit www.steamfast.com for frequently asked questions, tips and suggestions about utilizing steam and getting the most out of your 2-in-1 Steamer.

PROPER STORAGE

Preparing your 2-in-1 Steamer for storage is quick and simple. When you have finished your steaming tasks, follow the steps listed below.

1. Unplug grounded power cord from electrical outlet.
2. Allow unit to cool completely (at least 30 minutes).
3. Remove all attachments from unit.
4. **Steam Cleaning configuration:** Press Steam Button to make sure all remaining steam is emitted from Steam Cleaning Hose & Nozzle.
Fabric Steaming configuration: Unhook three extension locks on Telescopic Pole and press down on Pole Top to collapse Pole into compact storage position. Re-lock extension locks. Unscrew Pole knob by turning it in a counter-clockwise direction, and remove Pole from main unit.
5. Drain any remaining water in Water Reservoir into a sink or tub to prevent over-filling during your next use.
6. **Steam Cleaning configuration:** Wrap Hose loosely around unit and place Nozzle in holder on Carry Handle.
Fabric Steaming configuration: Reconnect Telescopic Pole (see **Attaching the Telescopic Pole** section on page 12 of this manual for assistance). Wrap Hose loosely around Pole one time and hang Fabric Steaming Nozzle from Nozzle Holder.
7. Store all attachments safely away, preferably inside Storage Compartment or near 2-in-1 Steamer.
8. Store 2-in-1 Steamer in a cool, dry location.

REMOVING MINERAL BUILD-UP

A common problem with steam appliances is mineral build-up caused by high mineral content in many municipal water supplies. **The best way to avoid this is to use de-mineralized or distilled water in unit.** If you are unable to use de-mineralized or distilled water, we recommend you use this procedure monthly to help avoid mineral build-up:

1. Switch Lighted On/Off Switch to “Off” position and unplug grounded power cord from electrical outlet. Allow unit to completely cool.
2. Remove all accessories from unit.
3. Flip up Storage Compartment lid and remove Water Reservoir cap.
4. Drain water from Water Reservoir into sink or tub.
5. Using Measuring Cup, make a mixture of 8 oz. (236 ml.) vinegar and 8 oz. (236 ml.) water.
6. Slowly pour water-vinegar solution into Reservoir.
7. Allow to stand for 40 minutes.
8. Drain water-vinegar solution from Reservoir.
9. Rinse Reservoir with fresh water, drain and repeat until vinegar odor dissipates.
10. Replace Water Reservoir cap and lower Compartment lid back down.

TROUBLESHOOTING GUIDE
GENERAL

PROBLEM	POSSIBLE CAUSE	SOLUTION
Unit fails to steam. Lighted On/Off Switch does not illuminate.	Unit is not plugged in.	Plug into electrical outlet.
	Household Circuit Breaker / Ground Fault Interrupter has tripped or blown a fuse.	Reset Circuit Breaker / Ground Fault Interrupter, or replace fuse. If you need assistance, contact a licensed electrician.
Unit fails to steam. Lighted On/Off Switch does illuminate.	Water Reservoir is empty.	Refill Water Reservoir using procedures on page 14 of this manual.
	Mineral build-up in unit.	Follow Removing Mineral Build-Up procedure on page 18 of this manual.
Steam output is intermittent.	Mineral build-up in unit.	It is normal for unit to periodically stop steaming for a few seconds. If steam stays off for longer periods, follow Removing Mineral Build-Up procedure on page 18 of this manual.
	Kink has formed in Hose and is blocking steam flow.	Check to make sure that Hose is smooth and straight and that any kinks are smoothed out.
Unit is emitting excess water.	Water condensation in Hose.	Point Nozzle towards sink, tub or ground and shake. Continue until excess water is released.
	Water Reservoir has been over-filled.	Empty some water out of Water Reservoir.
	Unit has not reached operating temperature.	Wait until Heating Indicator Light deactivates to steam.
Excessive gurgling in Hose and Nozzle / water drips from Nozzle.	Condensation in Hose.	Some gurgling is a natural effect of steaming process. For excessive gurgling or dripping water, extend Hose vertically to allow water to drain back into Water Reservoir.

**TROUBLESHOOTING & CUSTOMER SUPPORT
GENERAL**

PROBLEM	POSSIBLE CAUSE	SOLUTION
Water spills out from Water Reservoir fill hole when adding water.	Water Reservoir is already full.	Do not try to add any more water. Empty Water Reservoir and refill it with the correct amount of water, per the procedure on page 14 of this manual.
	Water Reservoir is too hot to be refilled.	Allow more cooling time before refilling. Fill Water Reservoir more slowly. Be sure to utilize the provided Measuring Cup and Water Funnel to refill the unit.
Accessories do not stay firmly attached to Nozzle.	Accessories are not being properly installed.	Review steps for proper installation of accessories on pages 8, 9 & 13 of this manual. Check to ensure that accessories are installed correctly.
	Accessories or Nozzle is damaged or otherwise incorrect.	Contact our Customer Service Department for assistance.

CUSTOMER SUPPORT

For problems with your 2-in-1 Steamer, please refer to the troubleshooting solutions located on pages 19 & 20 of this manual. Additional inquiries should be directed to our Customer Support services through our Web site, www.steamfast.com, on the Service Request Web page.

If you do not have internet access, you may also contact our Customer Support Department by telephone, at (800) 711-6617 or (816) 584-9700.

NOTE: In order for our customer service representatives to help you as quickly and efficiently as possible, please have the following information ready before calling:

- Purchase information (where and when you purchased this product)
- Product Serial Number

STEAM CLEANING	PART #	PART DESCRIPTION
	A275-001	Triangle Brush
	A275-002	10 mm Nylon Utility Brush
	A275-003	15 mm Nylon Utility Brush
	A275-004	Brass Utility Brush
	A275-005	Squeegee
	A275-006	Cloth Towel
	A275-007	Floor Brush
	A275-008	Extension Wand (2 pcs.)
	A275-010	Scrub Pad
FABRIC STEAMING	A420-001	Fabric Brush
	A420-002	Lint Remover
	A420-003	Extension Wand
	A475-003	Cloth Cover
	A400-010	Press Pad

ORDERING

INTERNET:

Visit www.steamfast.com and go to the Accessories ordering page in the Products section.

TELEPHONE:

If you do not have access to an internet connection, then call **1-800-711-6617** or **816-584-9700** to speak to a customer service representative who can help you order the accessories you need.

ONE YEAR LIMITED WARRANTY

(If outside continental USA, additional shipping charges may apply)

Top Innovations, Inc. warrants this product to be free from defects in material and workmanship for a period of one (1) year from the date of purchase. This warranty does not cover damage caused by misuse, negligence, use by improper current or voltage, commercial use, use contrary to operating instructions or disassembly, repair or alteration by any person other than Top Innovations, Inc. Warranty Service Department.

Top Innovations, Inc. will repair or replace, at its option. This warranty gives you specific legal rights and may have other rights, which may vary from state to state.

Performance of any obligation under this warranty may be obtained by:

1. Call (800) 711-6617 or (816) 584-9700 for Return Authorization Number before returning for repair. Failure to obtain a Return Authorization Number will cause a delay in warranty and out-of-warranty service requests.
2. Include copy of purchase receipt.
3. Include your name, address, telephone number, and Return Authorization Number on returned package.

Please send product postage-prepaid to:

**TOP INNOVATIONS, INC.
WARRANTY SERVICE DEPARTMENT
6655 TROOST AVE.
KANSAS CITY, MO 64131**

Should there be any missing or defective parts or accessories, please contact Customer Support. In most cases, it is not necessary to return the entire unit. We can ship most parts directly to your door.

Upon expiration of 1 year limited warranty, you will be advised of the cost of repair before any servicing is done, unless you enclose a note indicating that you would like us to proceed with repairs.

If you need to request warranty service, or have any questions about coverage under this warranty, please visit the Warranty Service Request page on our Web site www.steamfast.com. You may also contact the Warranty Service Department by telephone at (800) 711-6617 or (816) 584-9700, or e-mail customerservice@topinnovations.com.

Please have your product serial number ready before contacting Warranty Service Department. The serial number is located on the back or bottom of your unit.

SteamFast[®]

Top Innovations, Inc.

6655 Troost Ave.
Kansas City, MO 64131
Tel: (800) 711-6617
(816) 584-9700
www.steamfast.com
customerservice@topinnovations.com



Printed in China

PRODUCT SERIAL NUMBER

For your convenience, space has been provided below for you to record the serial number of your unit (located on the back or bottom of the unit) for easy reference when contacting our Customer Service Department.

_____ - _____