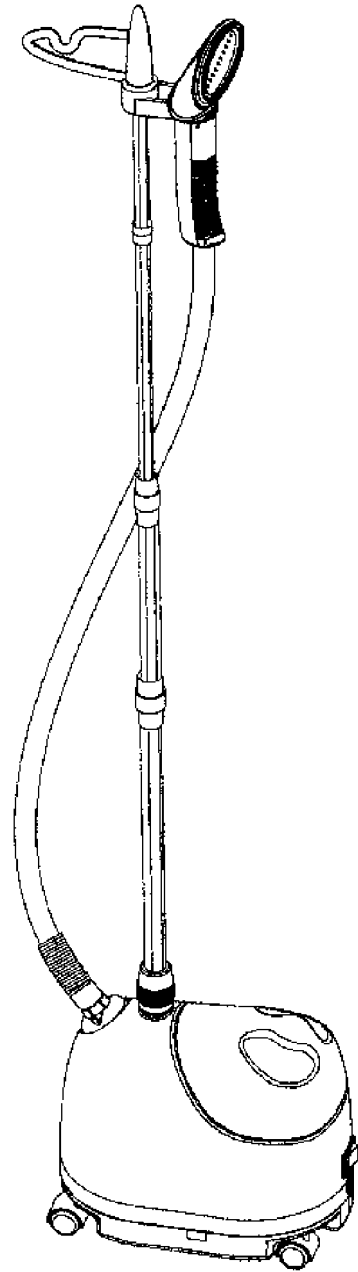


Steam.[®]
Fast 

**“Touch-Up”
Tailor-Quality
Steamer**

Model SF-410



Instruction Manual

Please Read These Instructions Before Use.

Dear Valued Customer,

Thank you for purchasing the “Touch-Up” Tailor-Quality Steamer. This product is designed to quickly refresh and remove wrinkles from the garments you wear. Its compact size and telescopic pole provide quick and easy storage. Turn your steamer on; and in 45 seconds, you are ready to remove wrinkles with Tailor-Quality Results, eliminating time-consuming and expensive trips to a professional dry cleaner. In addition to removing wrinkles, you will receive the many benefits that steam provides. Hot steam refreshes fabric and eliminates smoke and other unpleasant odors, as well as dust mites and other allergens.

Top Innovations, Inc. would like to invite you to take advantage of our Customer Support web site at www.steamfast.com. Here you will find additional information about the many other exciting Steam Fast products that are available, helpful tips on ways in which you can utilize your SF-410 “Touch-Up” Tailor-Quality Steamer, and other useful information to assist you in maximizing the power of steam!

Benny Lee
Chairman and CEO
Top Innovations, Inc.

Product Specifications

Unit Weight - Dry	8.5	lb	-	3.9	kg
Unit Weight - Full Water Tank	11.5	lb	-	5.2	kg
Water Tank Capacity	45	oz	-	1.3	L
Steam Output Time from Cold Start	45	sec			
Steam Duration - Full Water Tank	45	min			
Input Voltage	120	VAC			
Input Frequency	60	Hz			
Output Power	1500	W			

Customer Support

For problems with your steamer, please refer to the **Problem Solving Guide** on page 14. Additional inquiries should be directed to our Customer Support at 1-800-711-6617 or emailed to *support@topinnovations.com*.

Should there be any missing or defective parts or accessories, contact Customer Support. In most cases it is not necessary to return the entire unit. We can ship most parts directly to your door.

To ensure prompt and accurate service, call for a Return Authorization number before returning any unit to Top Innovations. Failure to obtain a Return Authorization number will cause a delay in warranty or out-of-warranty service requests.

IMPORTANT SAFETY INSTRUCTIONS

When using electrical appliances, always follow basic safety precautions, including the following:

1. Read all instructions.
2. Use this product for its intended purpose only.
3. To protect against risk of electrical shock, do not submerge the appliance in water or other liquids.
4. **THIS APPLIANCE IS NOT A TOY. Close supervision is necessary when any appliance is used by or near children.**
5. Unplug from electrical outlet when not in use, before putting on or taking off parts, and before filling with water, emptying, or cleaning.
6. Avoid contact with hot parts. Keep hands, hair, and clothing away from hot parts to prevent burns.
7. Do not operate any appliance with a damaged power cord or plug, after it malfunctions, or is dropped or damaged in any manner. A damaged power cord, plug, or unit may result in fire, electrical shock, or injury.
8. Do not leave the steamer unattended while in operation.
9. Allow the unit to cool before storage.
10. Accessories not recommended or sold for this appliance may cause fire, electrical shock, or injury.
11. Always turn the switch to the “Off” position before plugging in or unplugging the unit.
12. Do not let the power cord touch hot surfaces or water. The power cord should not be kinked or obstructed in any way.
13. Do not operate steamer without properly filling the water container.

SAVE THESE INSTRUCTIONS

IMPORTANT SAFETY INSTRUCTIONS

14. Always keep the steam nozzle elevated above the water container. Do not lay the hose on the floor.
15. This appliance has a grounded plug. As a safety feature, this plug will fit in a three-prong outlet only one way. If the plug does not fit in the outlet, do not attempt to defeat this safety feature.
16. Burns can occur by touching hot parts, hot water, or steam.
17. Never pull the power cord to disconnect it from an outlet. Instead, grasp the plug to remove it from the outlet.
18. To reduce the risk of contact with hot water and steam, always check the appliance for steam leaks. Operate the unit with the steam nozzle placed in its holder; and inspect the base, hose, handle, and nozzle for steam leaks.
19. To reduce the likelihood of a circuit overload, do not operate another high-wattage appliance on the same circuit as your steamer.
20. If an extension cord is absolutely necessary, a 3-pronged cord rated for at least 20 amperes should be used. Cords rated for less amperage may overheat. Care should be taken to arrange the cord so that it cannot be inadvertently pulled or tripped over.

SAVE THESE INSTRUCTIONS

SF-410 “Touch-Up” Steamer Product Information

The following features and accessories come with you steamer. Carefully inspect the packing material as some parts are shipped inside the Styrofoam packaging. To obtain possible missing parts, refer to the **Customer Support** section on page 3 of this manual.

1. Pole Top
- 1a. Steam Nozzle Holder
- 1b. Clothes Hanger Hook
2. Telescopic Pole
- 2a. Pole Extension
3. Steam Nozzle
4. Handle
5. Hose
6. Water Fill Tank
7. Water Reservoir
8. Lighted On/Off Switch
9. Casters
10. Drain Plug
11. Hose Base
12. Pole Base
13. Fabric Brush

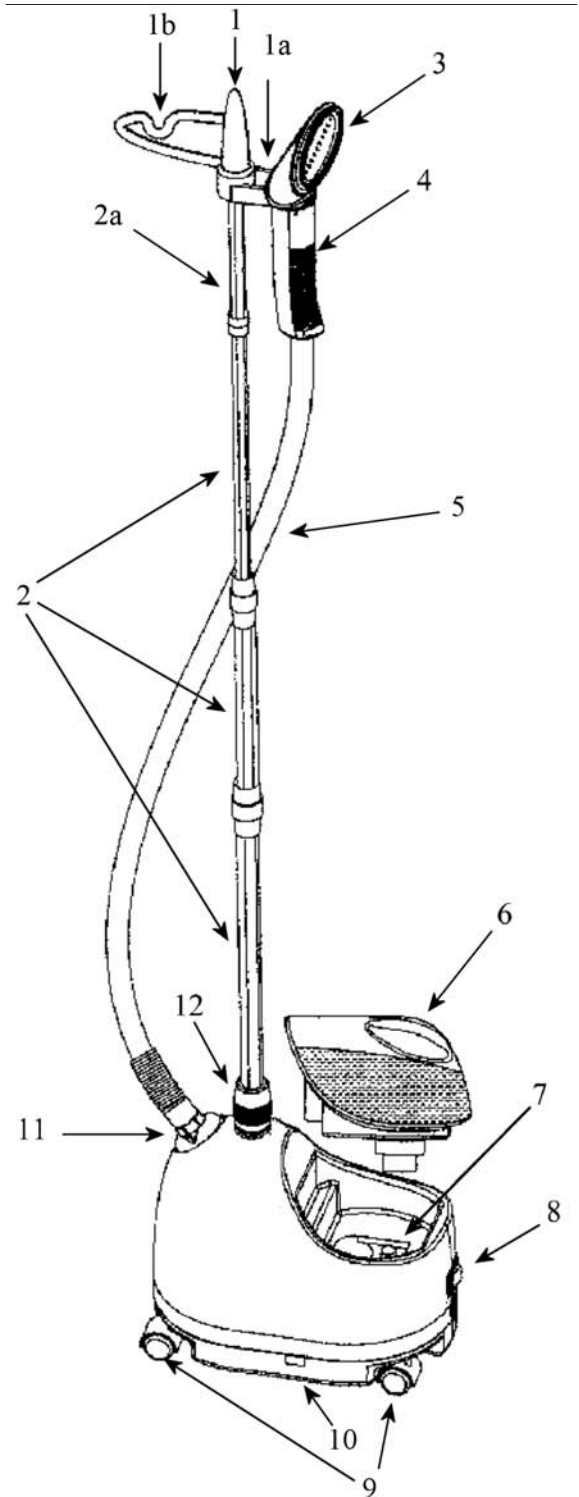


Figure 1

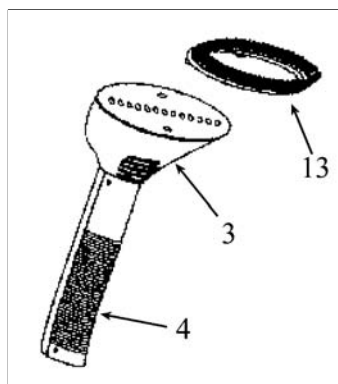


Figure 2

SF-410 “Touch-Up” Steamer Product Information

- The *Pole Top* (1) is comprised of the *Steam Nozzle Holder* (1a) and the *Clothes Hanger Hook* (1b). The *Steam Nozzle Holder* provides a safe and convenient place to hang the *Steam Nozzle*. The *Clothes Hanger Hook* allows you to steam garments that are hanging from a clean, rust-free hanger.
- The *Telescopic Pole* (2) with *Pole Extension* (2a) connects the *Pole Top* to the steamer and provides quick, compact storage of the unit.
- The *Steam Nozzle* (3) spreads the steam over a wide area providing hot, penetrating steam.
- The *Handle* (4) is permanently attached to the *Steam Nozzle*. It is designed to stay relatively cool and is safe to grasp. Use the *Handle* to safely direct the steam onto the desired fabric.
- The *Hose* (5) directs the steam from the boiler to the *Handle* and *Steam Nozzle*.
- The *Water Fill Tank* (6) is filled through the removable Valve Cap (6a), located on its bottom. Once filled, it is placed on the *Water Reservoir* (7).
- The *Lighted On/Off Switch* (8) provides a visual indication that the steamer is in use.
- 4 *Easy Roll Casters* (9) allow for ease of movement.
- The *Drain Plug* (10) is located on the side of the unit for convenient drainage of the *Water Reservoir*.
- The *Hose Base* (11) is a threaded plastic pipe for the attachment of the *Hose*.
- The *Pole Base* (12) ensures a stable mount for the *Telescopic Pole*.
- The *Fabric Brush* (13) attaches to the *Steam Nozzle* and can be used to gently brush fabric with a nap such as corduroy or velvet.
- The *Power Cord* (not shown) plugs into a standard three-prong outlet.

Assembly Instructions

Assembling and Mounting the Telescopic Pole

1. Screw the *Pole Extension* (A) onto the *Telescopic Pole* (B) as shown in Figure 3.
2. Place the *Pole Top* on top of the *Pole Extension* as shown in Figure 4, and rotate it clockwise until snug.
3. Loosen the *Top Ridged Knob* (C in Figure 5) by turning it counter-clockwise. Pull the pole to extend the top section (E) of the *Telescopic Pole*. Tighten the *Top Ridged Knob*.
4. Repeat step 3 for the *Bottom Ridged Knob* (D) to extend the middle section (F) of the *Telescopic Pole*.

NOTE: The *Telescopic Pole* must be fully extending during steamer operation to insure a free flow of steam through the *Hose*.

Note: Figures 3, 4, and 5 show the *Telescopic Pole* in its collapsed position.

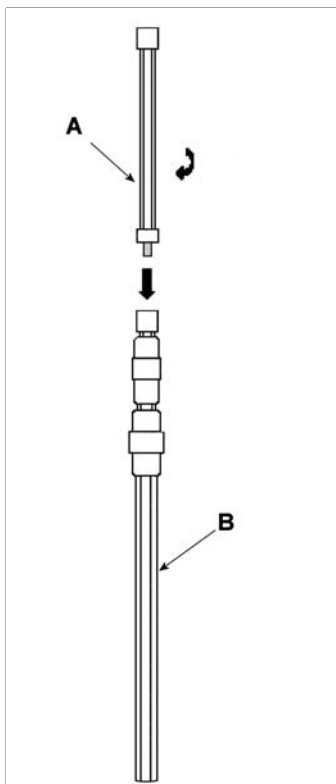


Figure 3

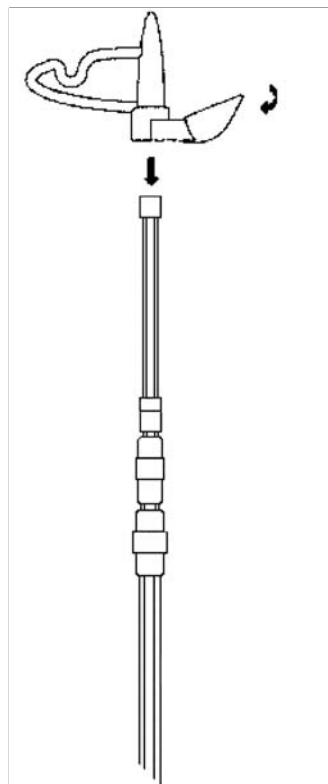


Figure 4

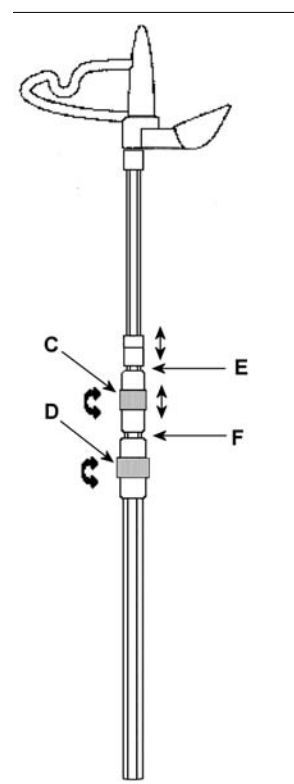


Figure 5

Assembly Instructions

5. Loosen the *Pole Base* by turning it counter-clockwise.
6. Insert the bottom of the *Telescopic Pole* into the *Pole Base* (see Figure 6) in such a way so that the *Steam Nozzle Holder* faces the rear of the steamer (see Figure 1). Pointing the *Steam Nozzle Holder* towards the rear will ensure the stability of the steamer when garments are hanging from the *Clothes Hanger Hook*.
7. Push the pole down as far as possible.
8. Tighten the *Pole Base* snugly.

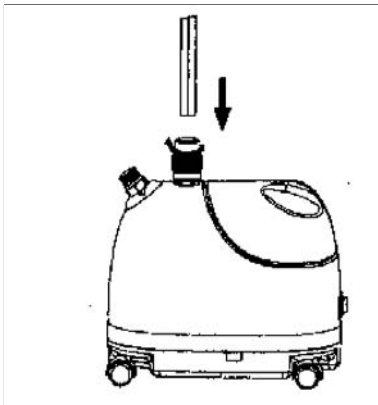


Figure 6

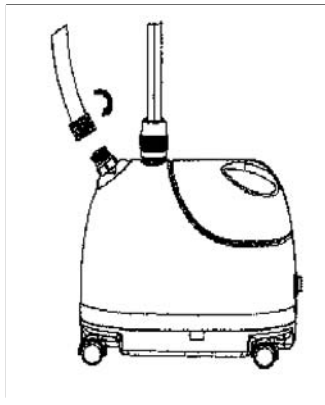


Figure 7

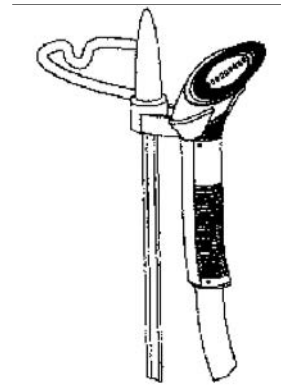


Figure 8

Attaching the Hose

1. Screw the *Hose* onto the threaded *Hose Base* by turning the fitting on the end of the Hose clockwise (see Figure 7).
2. Hand-tighten only. Do not over-tighten.
3. Hang the *Steam Nozzle* on the specially designed *Steam Nozzle Holder* as shown in figure 8.

CAUTION: To prevent steam from causing bodily injury or damage to surfaces, always hang the *Steam Nozzle* on the *Steam Nozzle Holder* when not in use. Do not lay the *Hose* on the floor as condensation may occur, causing unwanted water droplets in the steam.

CAUTION: Pulling on the *Hose* with excessive force will damage the hose, resulting in a steam leak.

Assembly Instructions

Fabric Brush Attachment

The *Fabric Brush* attachment is used in conjunction with the *Steam Nozzle*. To attach this accessory:

1. Turn the steamer off, and wait until steams no longer emits from the *Steam Nozzle*.

CAUTION: To avoid burns, do not try to install the *Fabric Brush* while steam is coming from the *Steam Nozzle*.

2. Align the pegs along the back of the *Fabric Brush* with the holes on the *Steam Nozzle*.
3. Push as shown in Figure 9 until the brush is firmly in place.

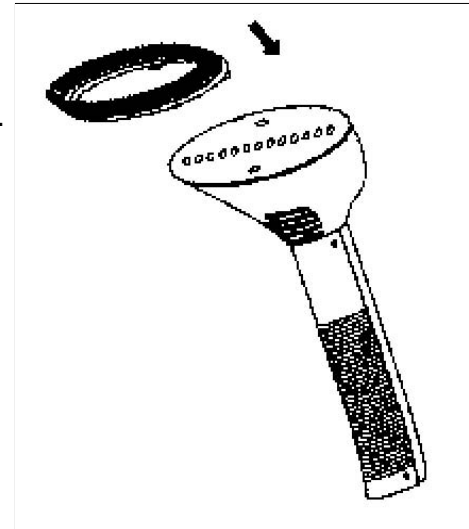


Figure 9

Using Your Steamer

Filling the Water Fill Tank

1. Unplug the *Power Cord*, and turn the *Lighted On/Off Switch* to the “Off” position.
2. Remove the *Water Fill Tank*; turn it upside down, and unscrew the *Valve Cap* (see figure 10).
3. Fill the *Water Fill Tank* with cool water, and replace the *Valve Cap*.

NOTE: To prolong the lifetime of your steamer, we recommend using distilled or de-mineralized water.

NOTE: Do not substitute another water tank for the one designed for this unit.

Using Your Steamer

4. Place the *Water Fill Tank* on the *Water Reservoir* (see Figure 11). You should hear water flowing into the *Water Reservoir* for a short time.

CAUTION: Do not let the steamer operate with a dry *Water Fill Tank*, or damage to the unit could occur.

Starting the Steamer

1. Plug the unit into a properly grounded three-pronged outlet.

WARNING: If a properly grounded three-pronged outlet is not available, a 3-to-2 prong adapter can be used ONLY IF THE ADAPTER ITSELF IS PROPERLY GROUNDED. For details contact a local hardware store or electrician.

2. Turn the *Lighted On/Off Switch* to “On.” Verify that the light on the switch is illuminated.
3. Steam should start flowing from the *Nozzle* in approximately 45 seconds.
4. When finished using the steamer, turn the *Lighted On/Off Switch* to the “Off” position.

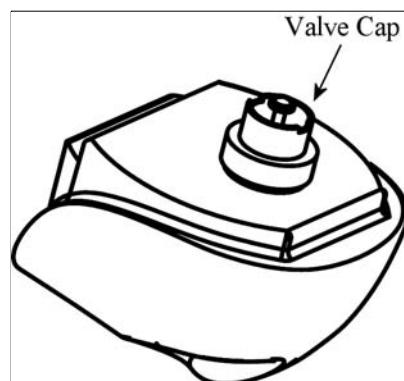


Figure 10

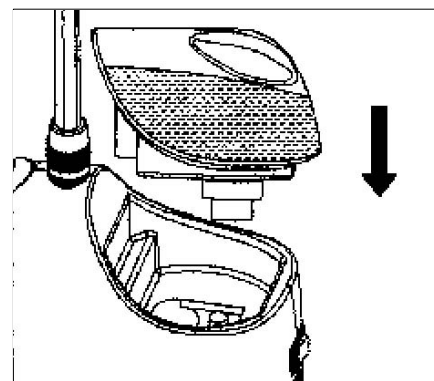


Figure 11

Using Your Steamer

Pressing With Steam

1. To steam a garment, place it on a clean, rust-free clothes hanger, and place the hanger on the *Clothes Hanger Hook*.

CAUTION: Be careful when handling garments on the *Clothes Hanger Hook*. Pulling on the garment with too much force may cause the unit to tip.

2. Grasp the *Handle*, and place the *Steam Nozzle* at the bottom of the garment. Steam will rise along the inside and outside of the fabric, removing wrinkles. Slowly slide the nozzle vertically, from the bottom to the top (see figure 12) of the garment.

NOTE: Do not allow kinks to form in the hose at any time.

3. Remove the nozzle from the garment, and smooth the fabric with your free hand.
4. Repeat steps 2 and 3 as necessary until the fabric is wrinkle free.
5. Curtains and draperies (see figure 13) can be steamed while still hanging.
6. To remove wrinkles from towels, handkerchiefs, and napkins, drape them over a rod or towel rack, and gently steam.
7. Heavier fabrics may require repeated steaming.
8. To remove stubborn wrinkles, steam both sides of the fabric.
9. The *Fabric Brush* may also be used to remove tough wrinkles.



Figure 12



Figure 13

Quick Storage

1. Turn the *Lighted On/Off Switch* to “Off”.
2. Unplug the *Power Cord*.
3. Wrap the *Hose* around the *Telescopic Pole* one time as shown in Figure 14.
4. Hang the *Steam Nozzle* from the *Steam Nozzle Holder* .
5. Loosen the two ridged knobs on the *Telescopic Pole* by turning them counter-clockwise.
6. Push down on the *Pole Top*; the pole will collapse to a compact height.
7. Roll the unit to a convenient storage location.

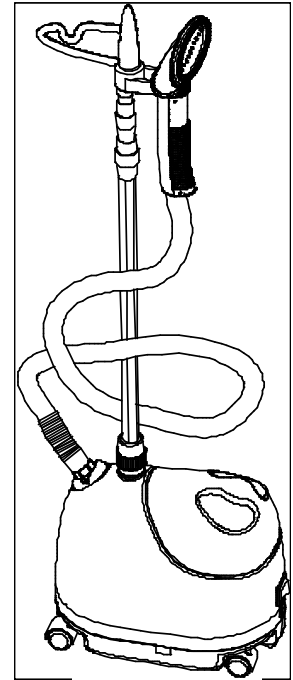


Figure 14

Cleaning and Long-Term Storage

We recommend you follow this procedure at least once per week. Use of **distilled or de-mineralized water** reduces the need to for cleaning and prolongs the life of your steamer.

1. Turn the *Lighted On/Off Switch* to “Off”.
2. Unplug the unit from the power outlet.
3. Wait for the unit to cool completely (at least 30 minutes).
4. Remove the *Hose* and the *Telescopic Pole*, and set them aside.
5. Carry the unit to a sink or tub.
6. Remove and drain the *Water Fill Tank*. Rinse the water tank with fresh water, and drain completely.
7. Drain the steamer by removing the *Drain Plug* and emptying the contents into the sink or tub. Tilt the unit towards the drain plug to facilitate removal of the water.
8. Flush the unit by filling the *Water Reservoir* and the *Hose Base* with fresh water and draining completely. Replace the *Drain Plug*.
9. Place the *Water Fill Tank* back on the *Water Reservoir*.
10. Reattach the *Telescopic Pole* and *Hose*.
11. Follow steps 3-7 of the **Quick Storage** procedure above.

Problem Solving Guide

PROBLEM	CAUSE	SOLUTION
The unit fails to steam. The light on the <i>On/Off Switch</i> does not illuminate.	Steamer is not plugged in.	Plug into electrical outlet.
	Household Circuit Breaker/Ground Fault Interrupter is tripped or Fuse is blown.	Reset the Circuit Breaker/Ground Fault Interrupter, or replace the fuse. If you need assistance, contact a qualified electrician.
The unit fails to steam. The light on the <i>On/Off Switch</i> does illuminate.	Mineral buildup in the unit.	Follow the Removing Mineral Buildup Procedure on page 15.
	The <i>Water Tank</i> is empty.	Refill the <i>Water Fill Tank</i> using the procedures on page 10.
Water drips from nozzle	Condensation in hose	Extend the hose vertically to allow water to drain back into the <i>Water Reservoir</i> .
Excessive gurgling of <i>Hose</i> and <i>Steam Nozzle</i>	Condensation in hose	Some gurgling is a natural effect of the steaming process. For excessive gurgling, extend the hose vertically to allow water to drain back into the <i>Water Reservoir</i> .
Steam is intermittent	Mineral Buildup in the unit	It is normal for the unit to periodically stop steaming for a few seconds. If the steam stays off for longer periods, follow the Removing Mineral Buildup Procedure on page 15.

Removing Mineral Buildup

One common problem with steamers is mineral buildup caused by a high mineral content in many municipal water supplies. Mineral residue inside of the internal pipes and heater can cause intermittent steaming or, in some cases, no steaming at all.

NOTE: To reduce or eliminate the occurrence of mineral buildup we recommend the use of de-mineralized or distilled water in the unit.

The procedure below can be used to reduce mineral buildup. If you are unable to use de-mineralized or distilled water, we recommend you follow this procedure monthly.

1. Turn the unit off, and unplug the power cord.
2. Remove the hose, and pole from the unit.
3. Drain the *Water Reservoir* by following steps 1-7 of the **Cleaning and Long Term Storage** procedure on page 13. Leave the *Water Tank* off the unit.
4. Mix a solution of 50% vinegar and 50% water. In most cases, 2 cups of this solution will be sufficient.
5. Slowly pour the water-vinegar solution into the *Hose Base* connector.
6. If standing water-vinegar solution becomes visible in the *Water Reservoir's* inlet hole, continue to pour to solution into the *Hose Base* until the *Water Reservoir* is about half-full.
7. If standing water-vinegar solution does not become visible in the *Water Reservoir's* inlet hole, continue pouring the solution into the *Hose Base* until standing solution appears near the top of the *Hose Base*. Pour additional solution into the *Water Reservoir* until it is about half full.
8. Allow stand for 40 minutes.
9. Drain the solution out of the *Water Reservoir* by removing the drain plug and allowing the liquid to drain into a sink or tub.
10. Drain the solution out of the *Hose Base* by tilting the unit over a sink or tub and pouring the water out of the *Hose Base*.
11. Pour clean water in the *Hose Base* and *Water Reservoir* inlet, and drain. Repeat this step until the vinegar smell dissipates.
12. Reassemble the unit and operate normally.

If this procedure does not return the unit to normal operation, the unit may need servicing. Refer to the **Customer Support** section of this manual on page 3.



Top Innovations, Inc.
400 NW Platte Valley Drive
Riverside, Missouri 64150
www.steamfast.com
1-800-711-6617

PRINTED IN CHINA